

rayence

XR5

New generation digital radiography system



COMPANY OVERVIEW

Rayence is the world's second largest supplier of imaging detectors using a-Si TFT/ CMOS.

- Radiography Imaging Detector
- Fluoroscopy(C-arm/R&F) Imaging Detector
- Mammography Imaging Detector



XR5

New generation digital radiography system

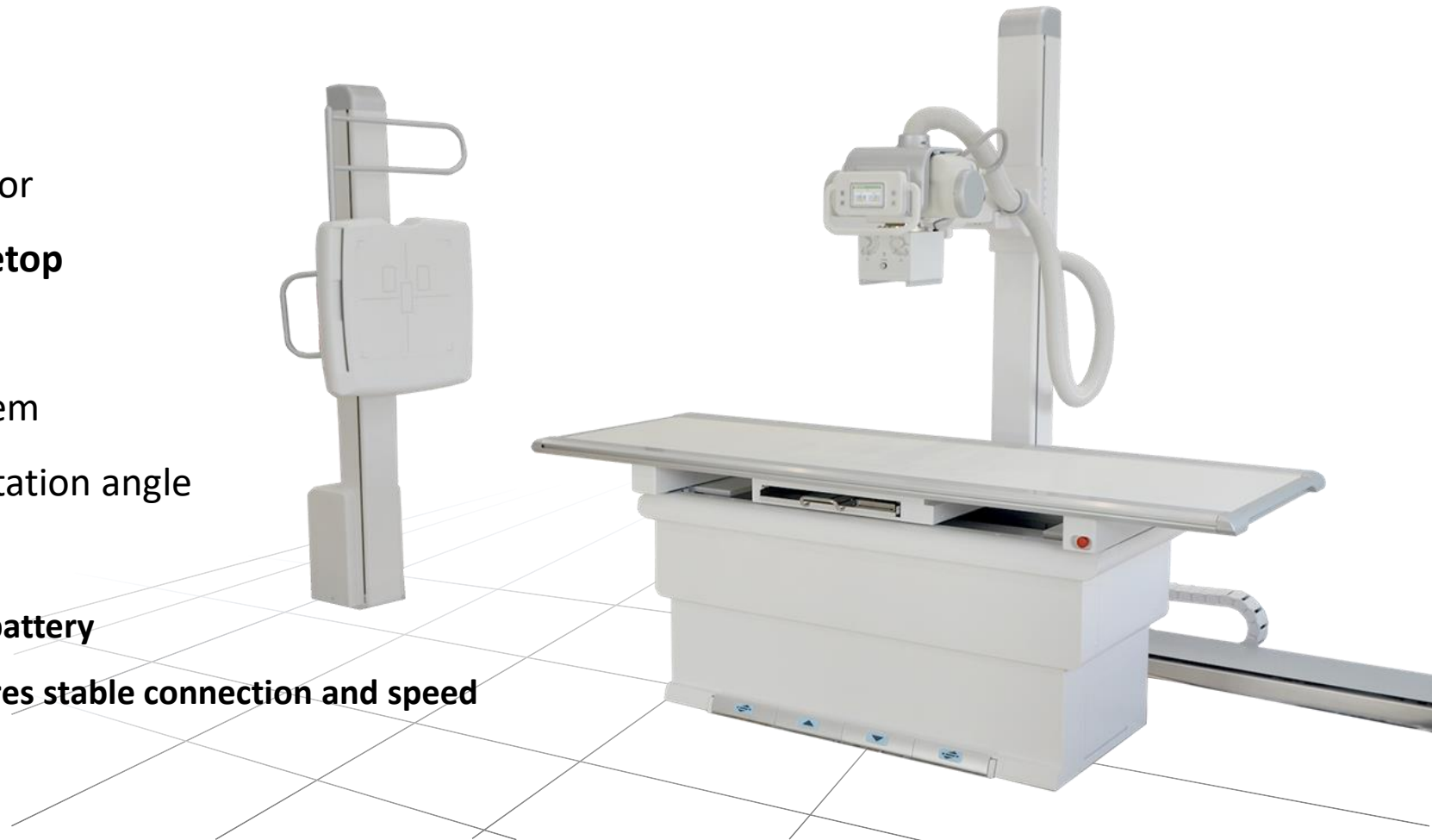


❖ **Integrated tube stand system with wall bucky**

Cost-effective, space-saving design, workflow optimized for daily digital radiography imaging needs.

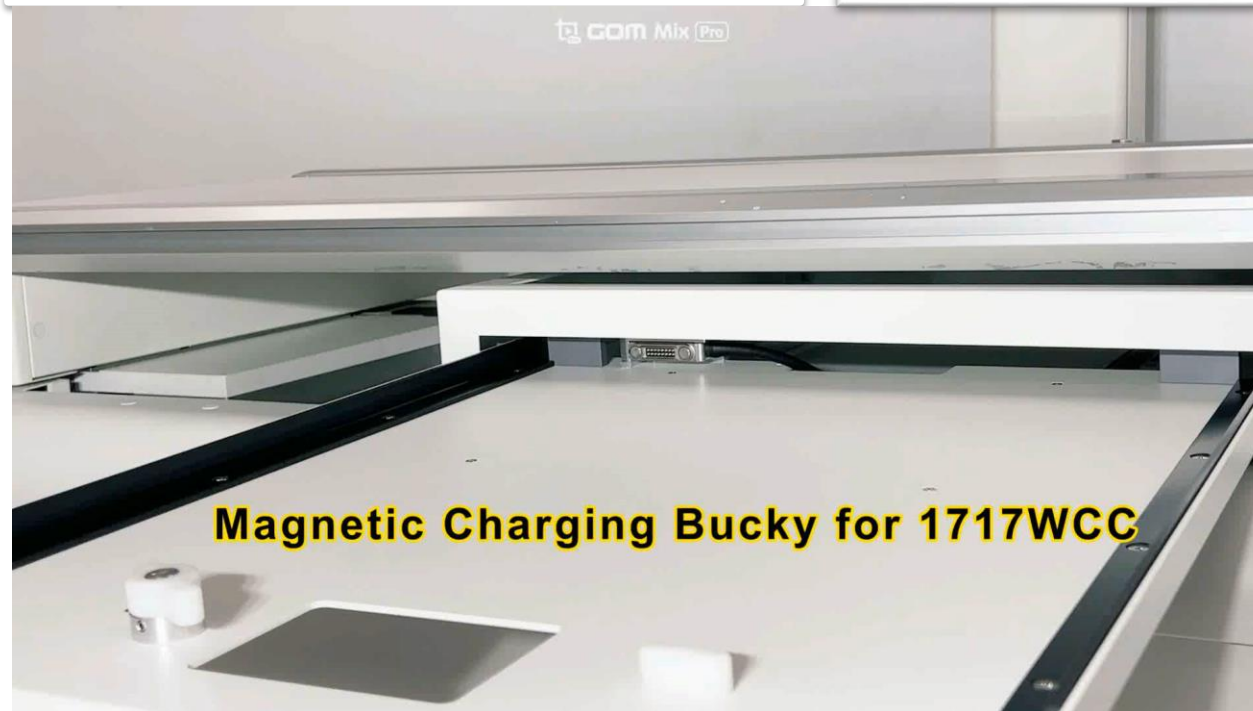
Key Benefits of XR5

- 14x17 or 17x17 Inch Wireless CsI Detector
- **6way elevating table with floating tabletop**
- Bucky wall mount for vertical exams
- Touch screen digital display control system
- Digital measurement of SID and tube rotation angle
- **Magnetic charging bucky for 1717WCC**
 - **24/7 No-worries about charging the battery**
 - **Wired Ethernet communication ensures stable connection and speed**



XR5

New generation digital radiography system



Magnetic Charging Bucky for 1717WCC

XR5

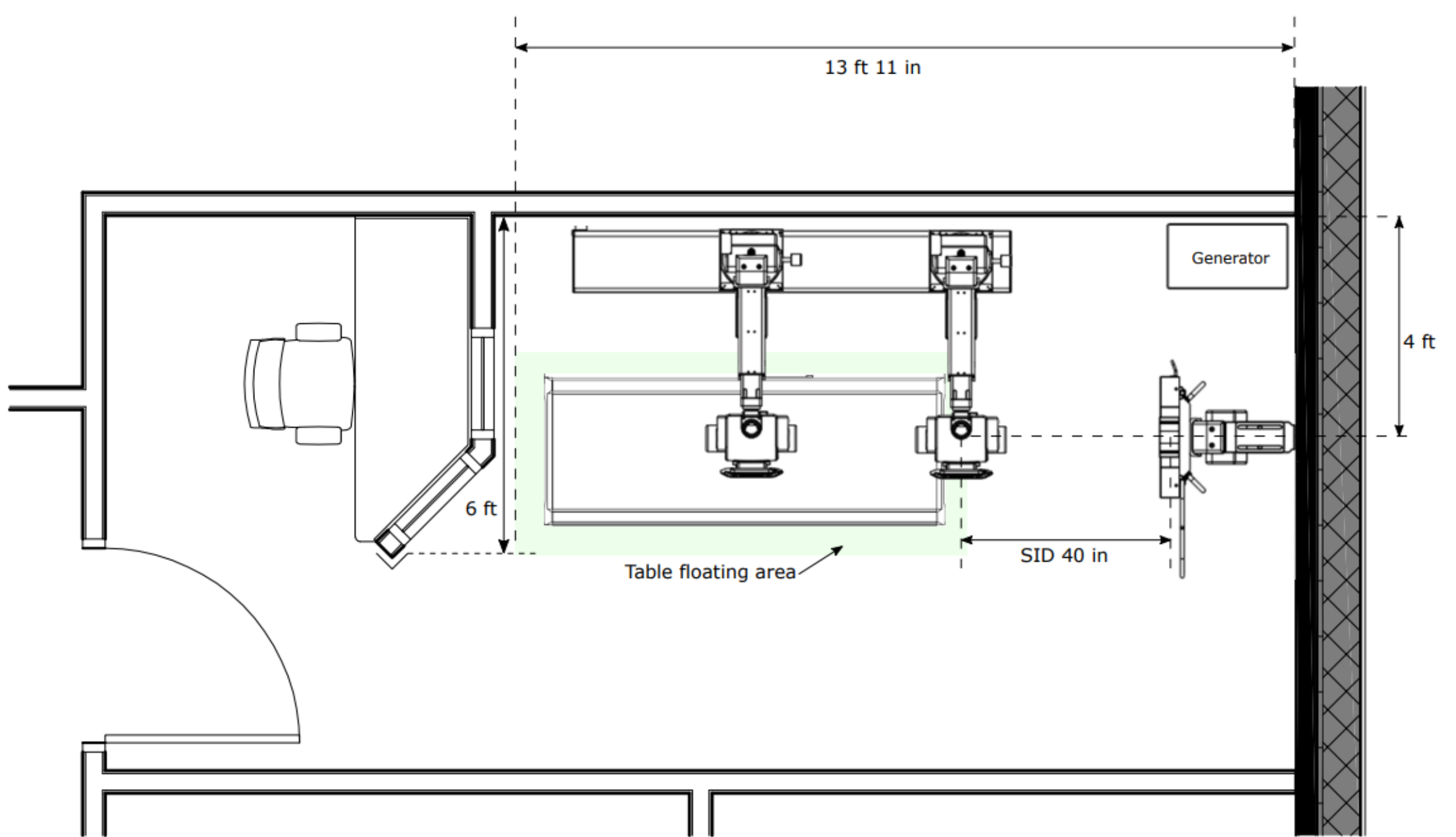
New generation digital radiography system



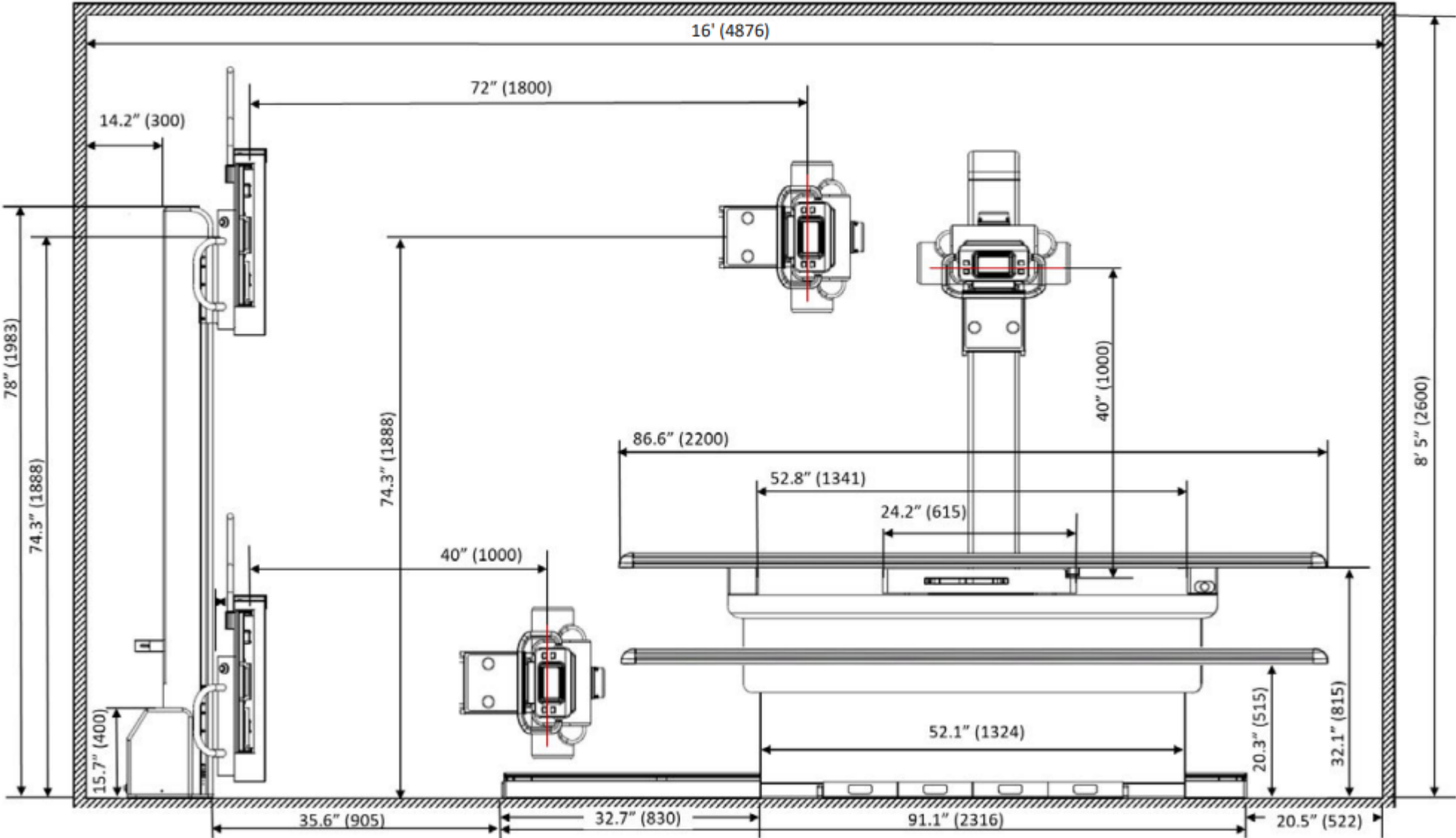
XR5

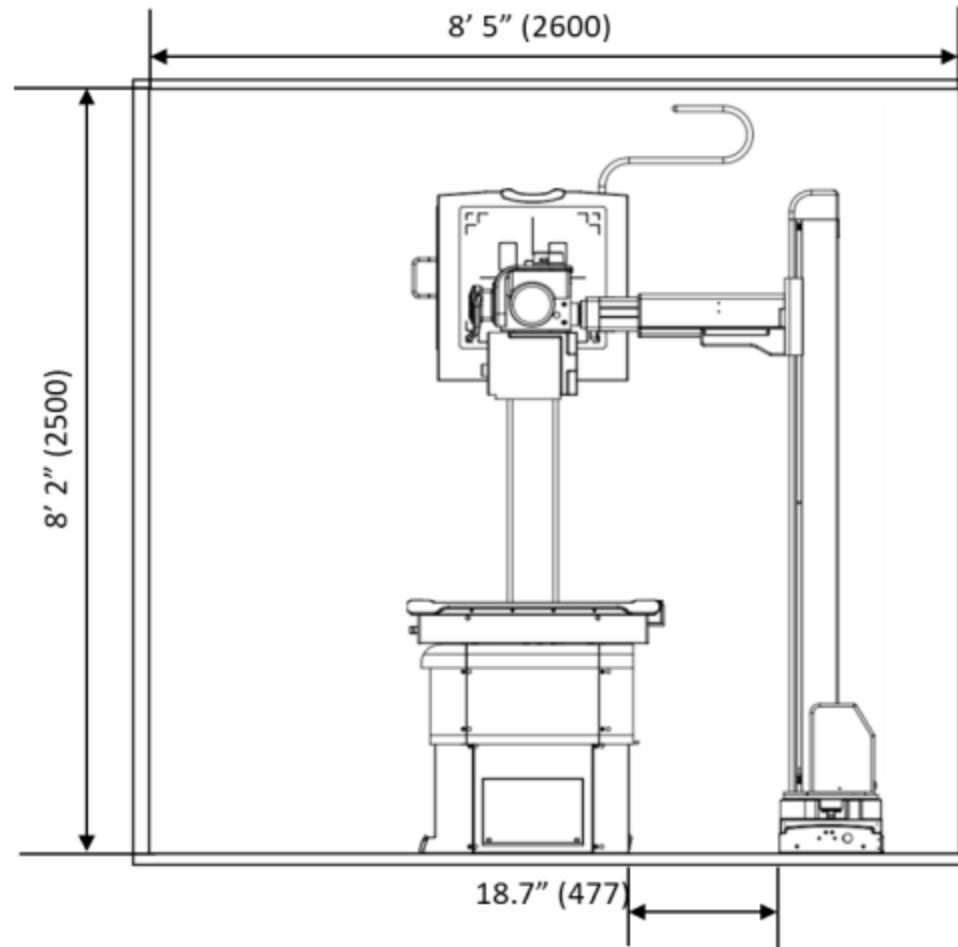
New generation digital radiography system

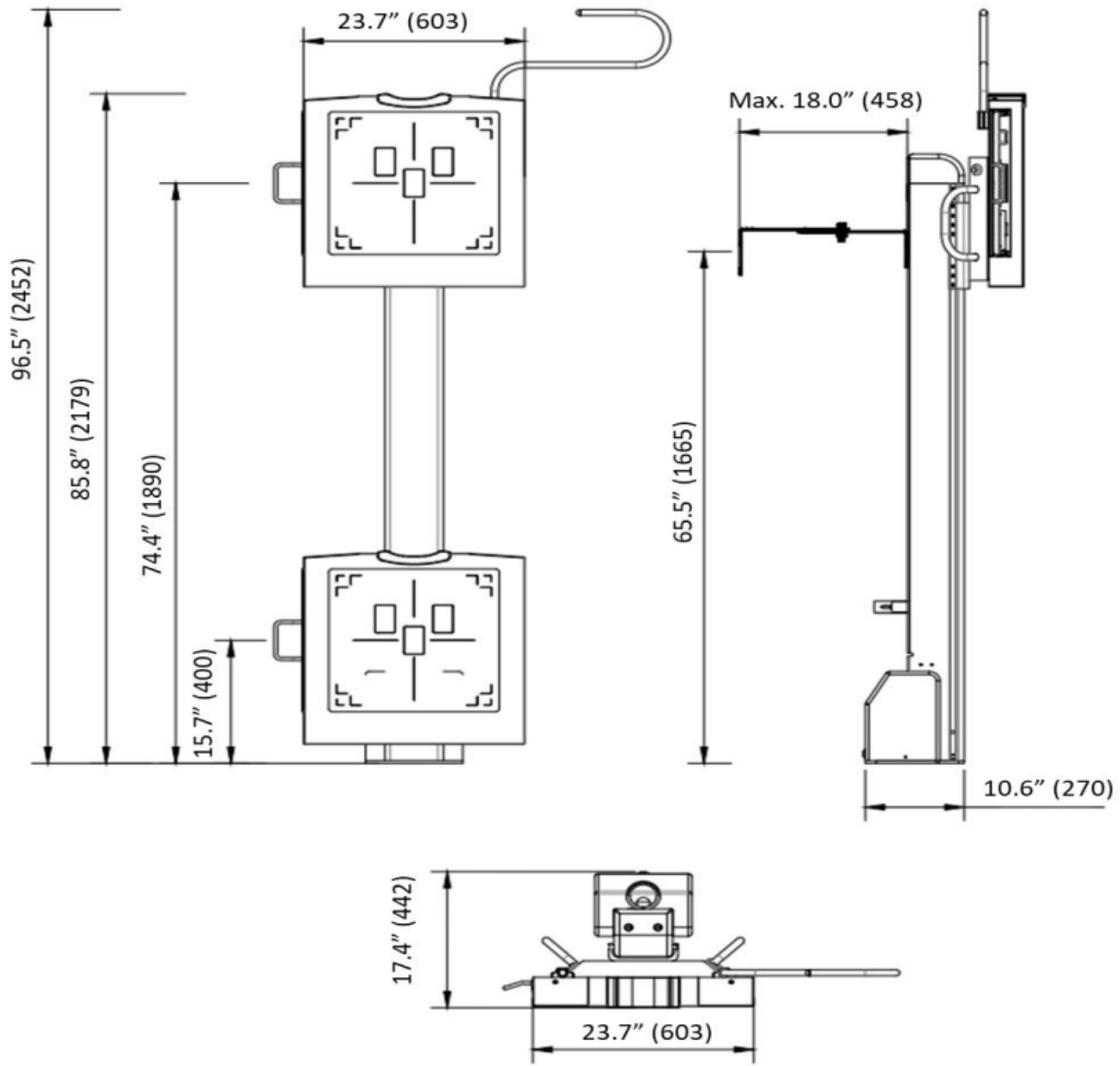


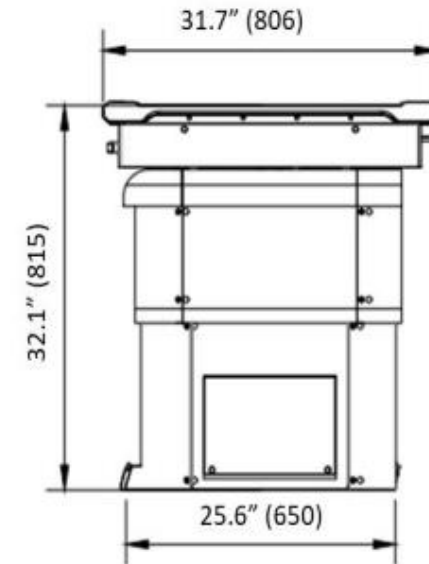
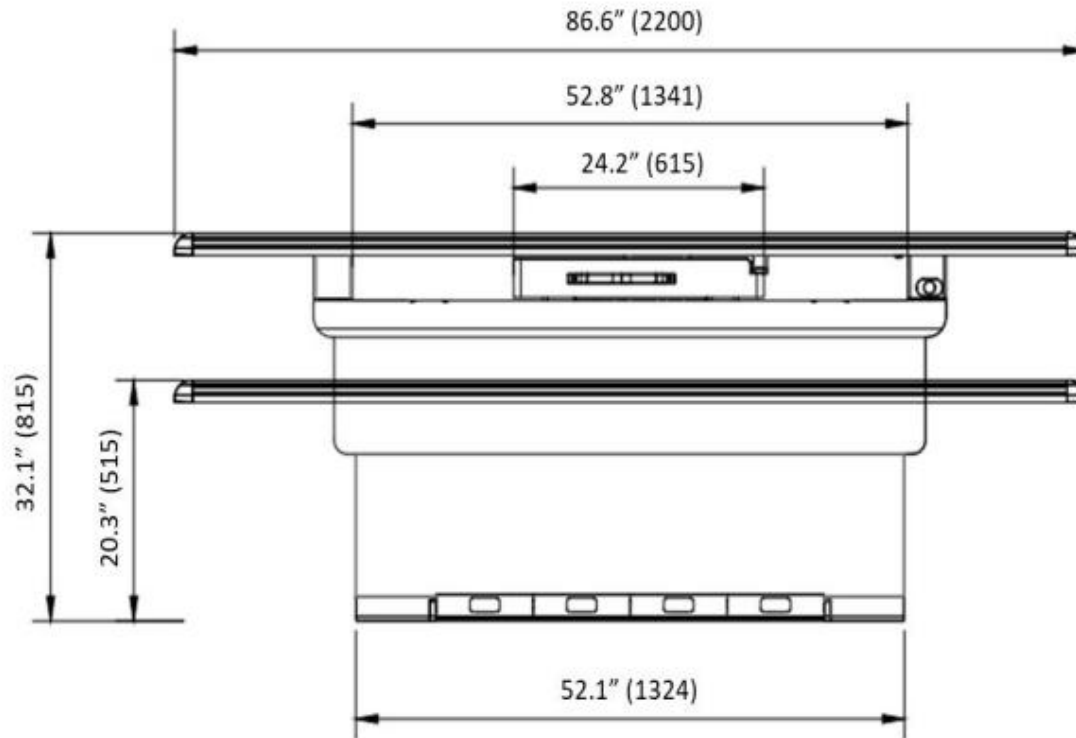
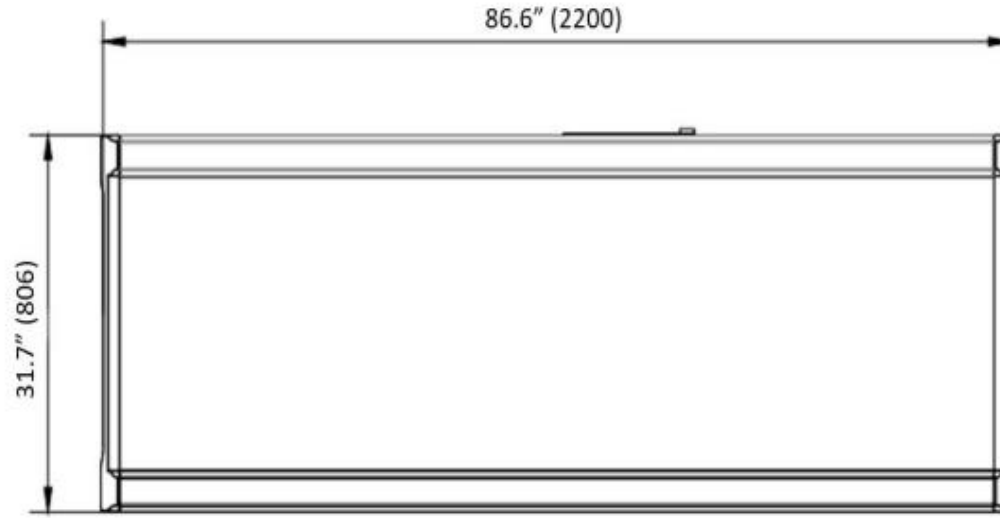


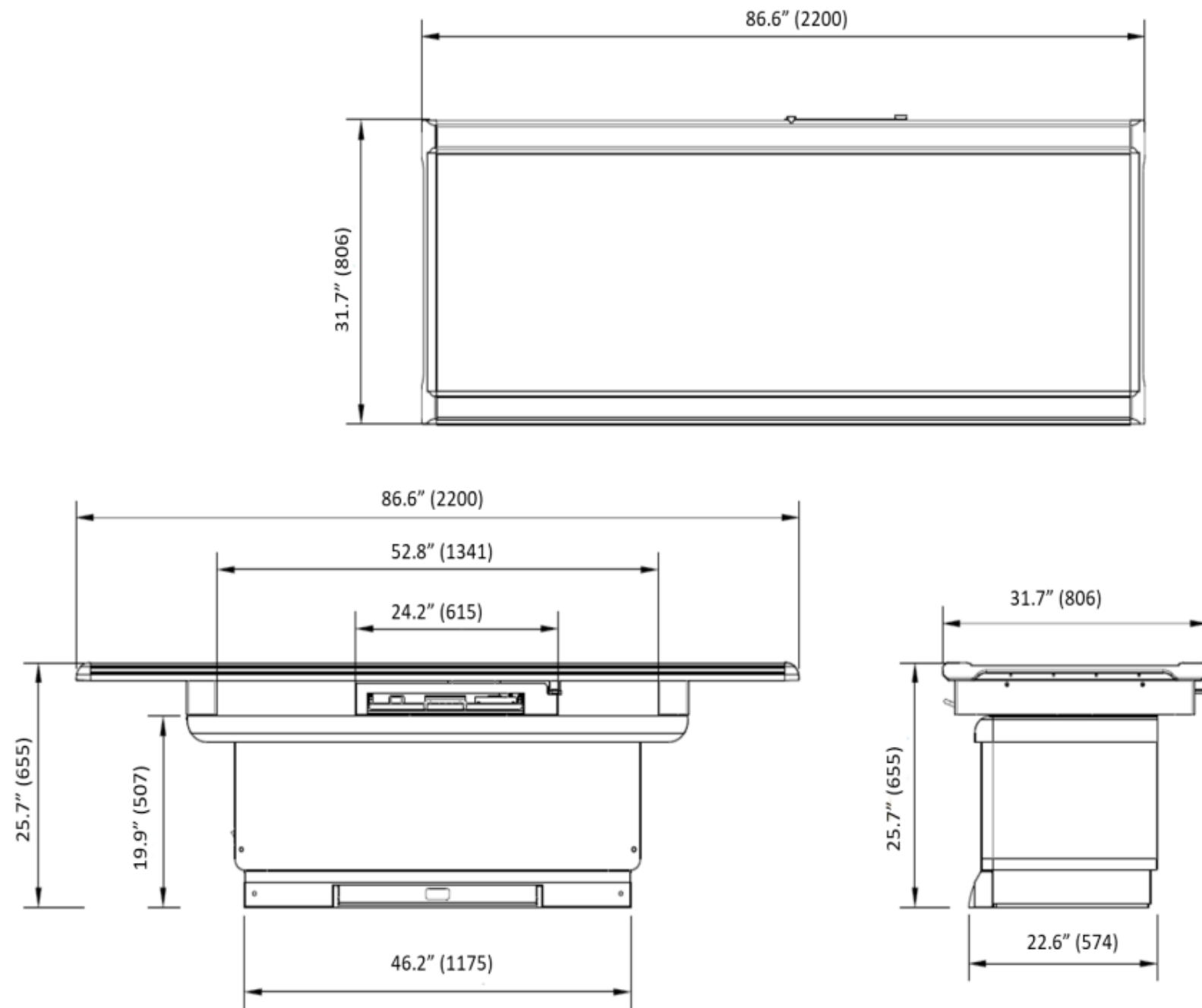
Typical Urgent Care X-ray Room

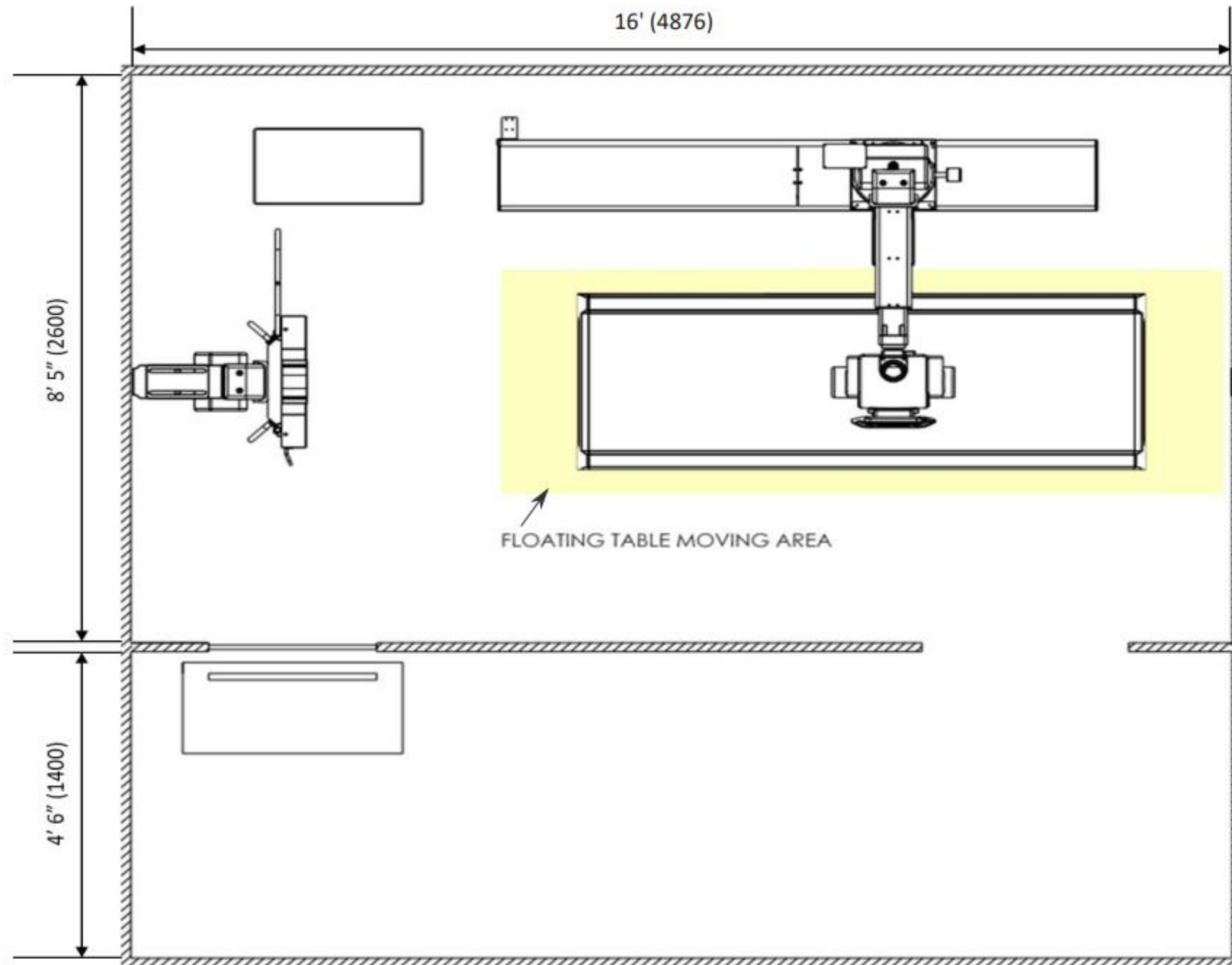


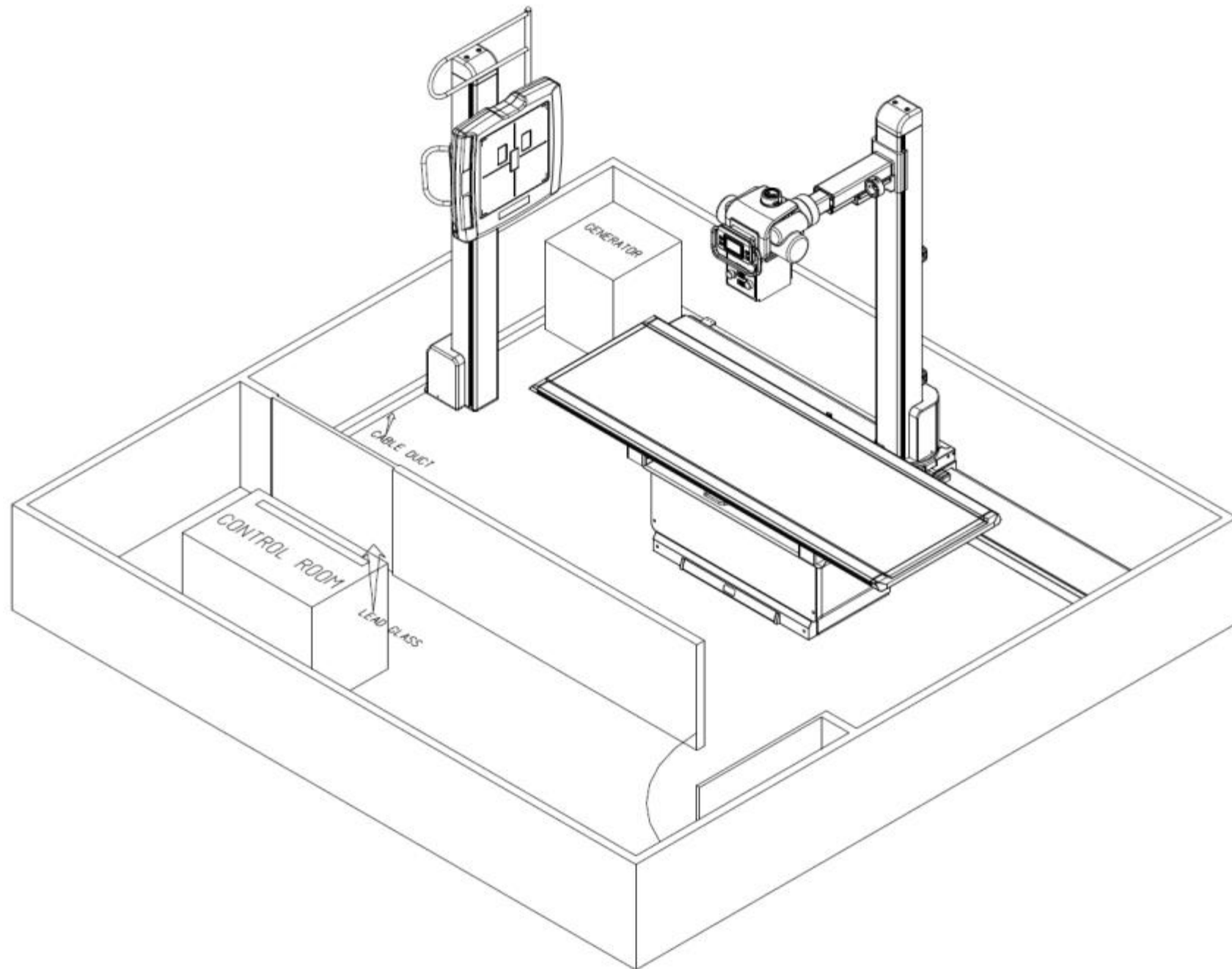












Installation Reference Sites #1



Pronto Urgent care, FL



Urgent Care Center in Biscoe, NC



Headquarters of Jehovah's Witnesses, NY



Installation Reference Sites #2



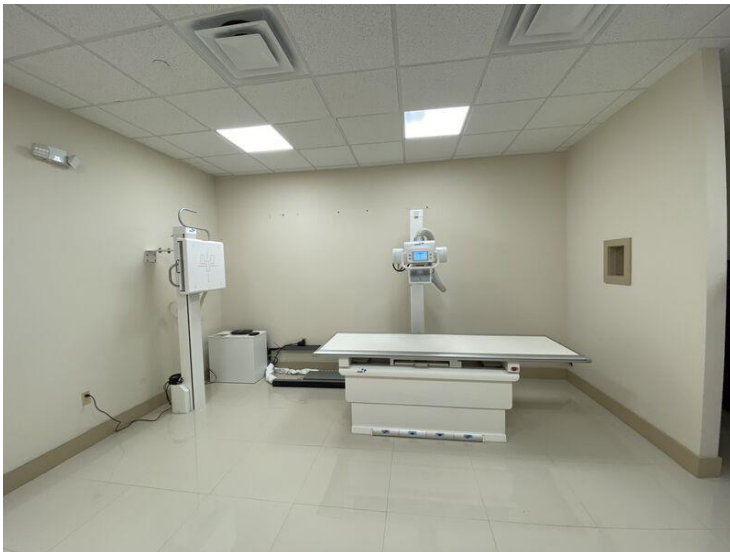
Middleton Family Medicine, MA



Sharon Regional's
Diagnostic and Imaging Center, PA



Doctors Hospital, Mexico



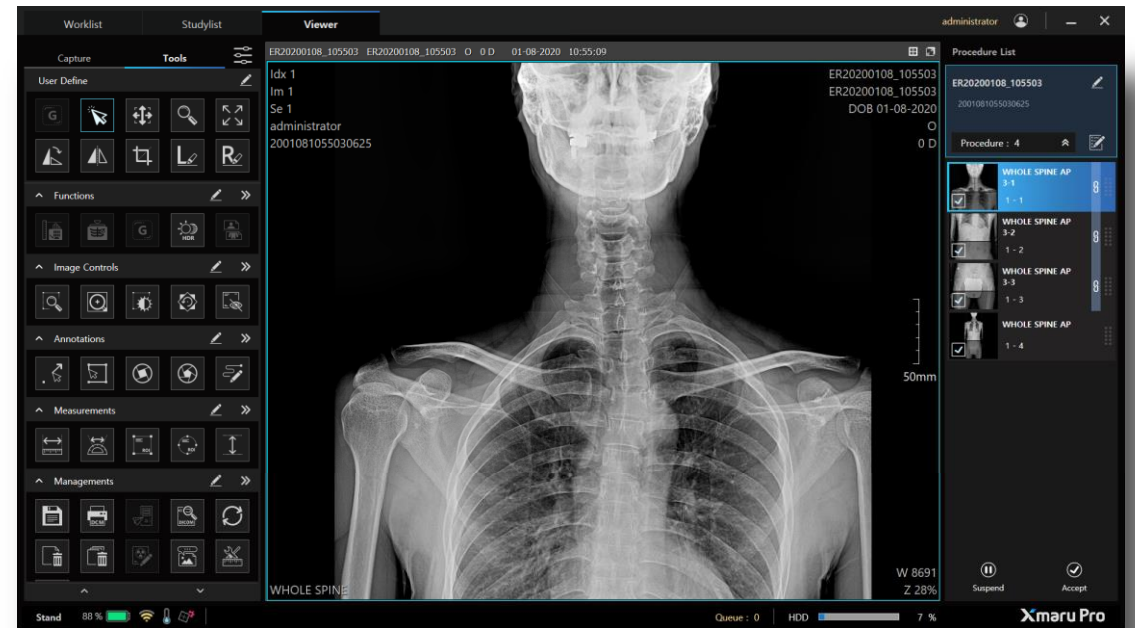
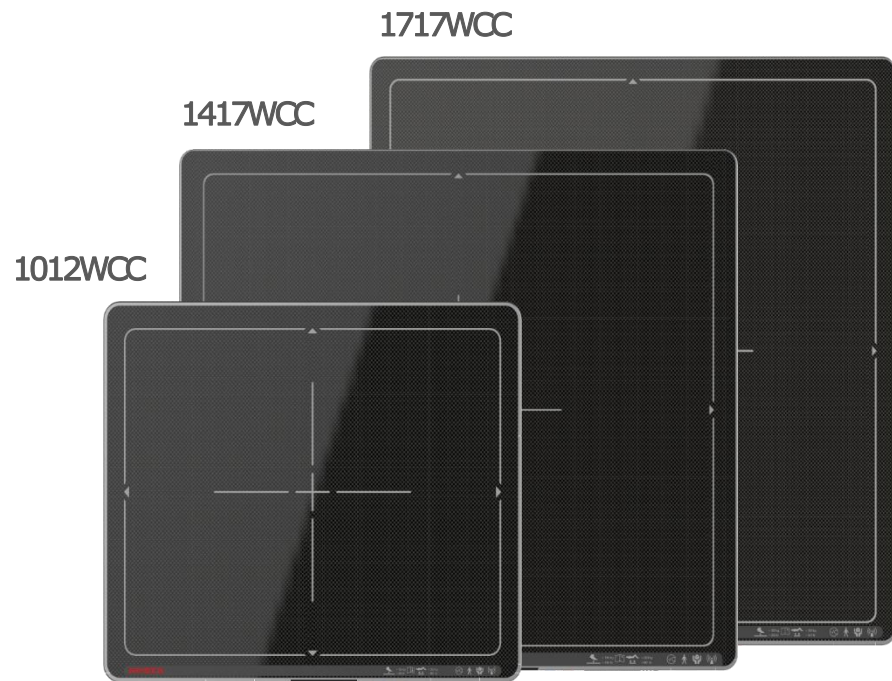
La Colonia Medical Center – Tamarac, FL



La Colonia Medical Center – Little Havana, FL



Wireless Detector and Software



Wireless Solution For Any Application



Lightweight & Fast



Ergonomic Design



Water Resistant (IPX6)



Durability

Flexible Diagnostic Acquisition Software



Faster



Advanced Processing Features



Improved Display



Flexibility

Rayence Care

Customer-oriented support staff and system

- Highly skilled and trained technical staff stand by for any type of issue including Rayence products and common IT problems
- Responsive Superior Live Support
- plus
Automated Phone to case, Web to Case, Email to Case integration into Service Cloud ticketing system for the fastest response time

Patient table

Table height (elevating table)	20.2 ~ 32.1 in
Tabletop length	86.6 in
Tabletop width	31.7 in
Longitudinal stroke	±17.7 in
Transverse stroke	±4.1 in
Max. patient weight	661 lbs
Wireless detector charging	Standard for Edge Air(17x17)

Tube stand

Longitudinal travel range	100 in
Vertical travel range	58.7 in
Lowest central beam height	15.7 in
Tube arm slide in/out movement:	±4.7 in
Column stand rotation	± 180°, detents at 0°, ± 90°, + 180°
X-ray tube rotation range	± 135°, detents at 0°, ± 90°

Bucky wall stand

Vertical travel range	58.6 in (15.7 in ~ 60.2 in)
Wireless detector charging	Standard for Edge Air(17x17)

Generator

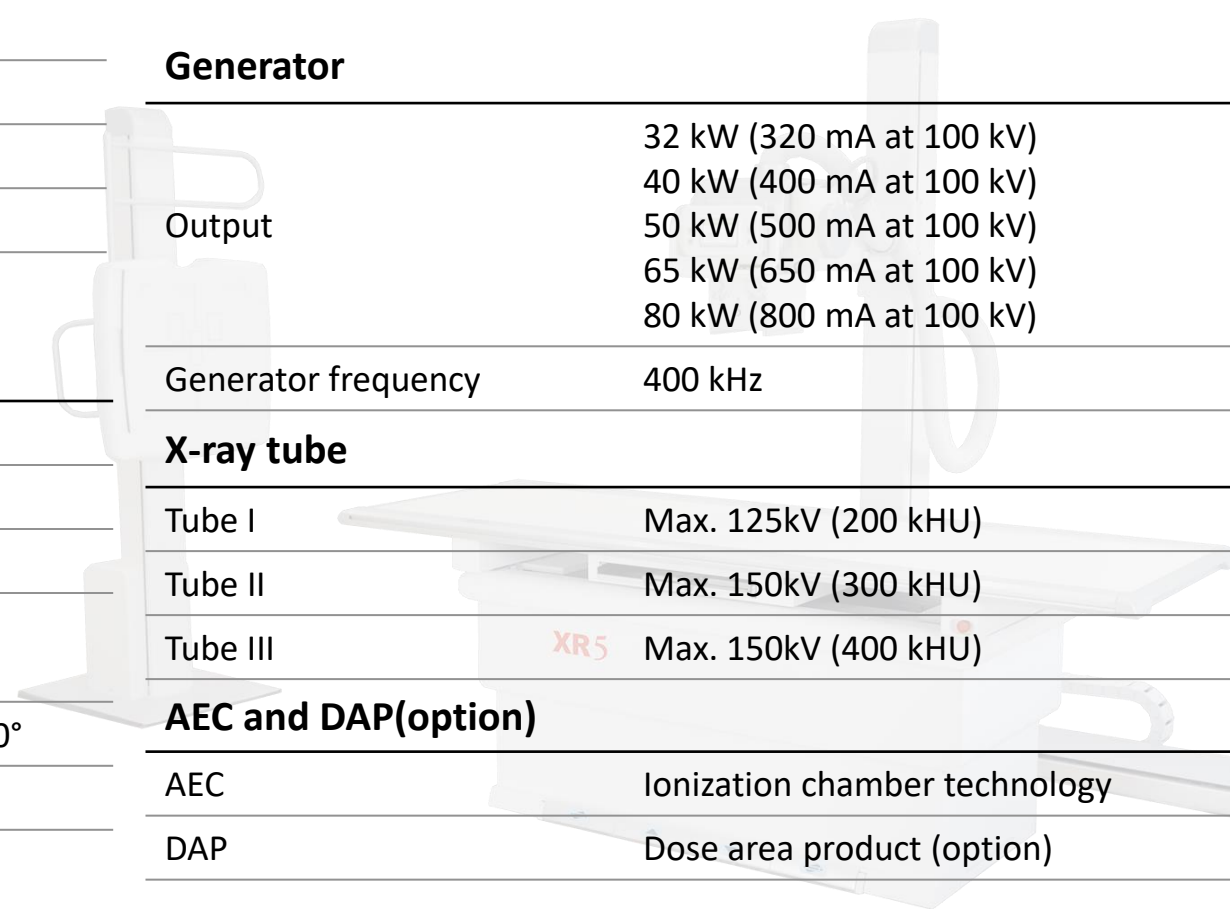
Output	32 kW (320 mA at 100 kV) 40 kW (400 mA at 100 kV) 50 kW (500 mA at 100 kV) 65 kW (650 mA at 100 kV) 80 kW (800 mA at 100 kV)
Generator frequency	400 kHz

X-ray tube

Tube I	Max. 125kV (200 kHU)
Tube II	Max. 150kV (300 kHU)
Tube III	Max. 150kV (400 kHU)

AEC and DAP(option)

AEC	Ionization chamber technology
DAP	Dose area product (option)





rayence

Distribuidor Autorizado

Thank you

